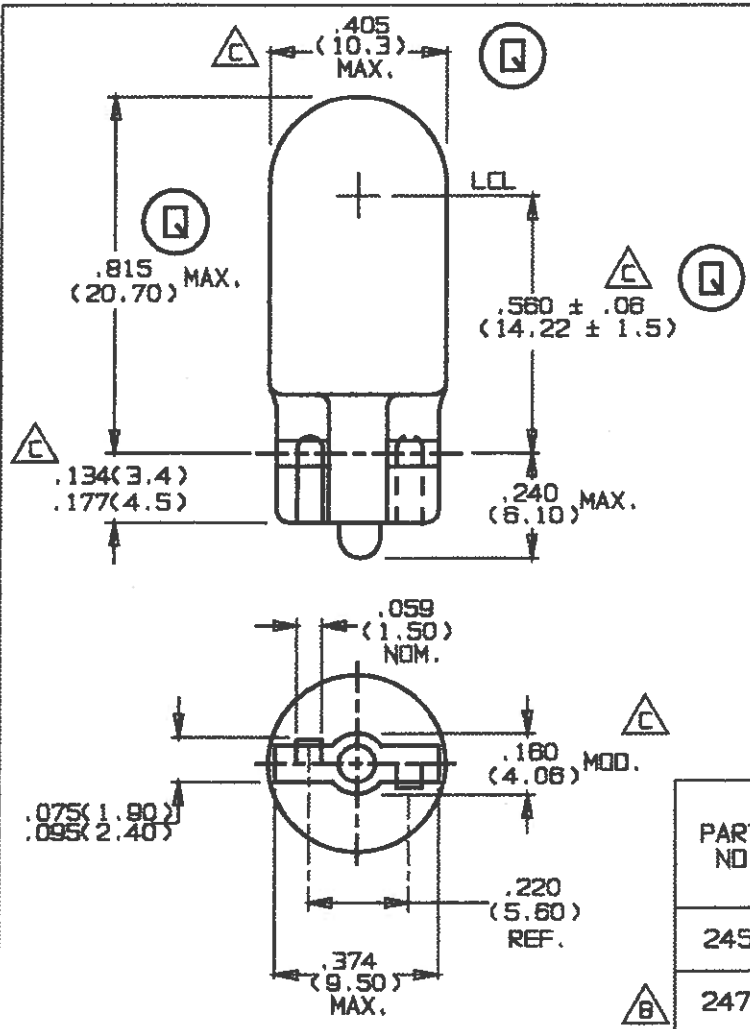


ORIGINAL

REV	ECR NO./DESCRIPTION	DATE
A	NEW RELEASE	7/15/96
B	16652 KB ADDED P/N 2470X & UPDATED TO CAD	8/10/98
C	16813 KB CORRECTED DIMS	9/9/98



NOTES:

1. FILAMENT SHAPE MUST BE UNIFORM WITH COILS EVENLY SPACED AND FREE OF TWIST OR SHORTING.
2. BULB SHALL BE CLEAN WITH NO FOREIGN MATERIALS OR GLASS CHIPS INSIDE.
3. CENTER OF FILAMENT SHALL BE WITHIN THE CENTER 1/3 OF THE BULB.
4. LAMPS SHALL BE CAPABLE OF OPERATION AND STORAGE AT TEMPERATURES FROM -85°C TO +100°C WITHOUT DEGRADATION.
5. LAMPS SHALL BE PACKAGED IN CONTAINERS SUITABLE TO PREVENT BREAKAGE DURING SHIPMENT.
6. LAMP PART NUMBER TO BE PERMANENTLY MARKED ON LAMP.
7. LAMP ENVELOPE SHALL BE FREE AND CLEAR OF BUBBLES, SCRATCHES, OR DISCOLORATION.
8. ALL DIMENSIONS ARE IN INCHES(mm).

PART NO.	ELECTRICAL CHARACTERISTICS					FILAMENT SHAPE	GAS FILL
	VOLTS	W	CURRENT (Q)	MSCP NOM.	LIFE HOURS (AVG.)		
2450X	24.0	5.0	.208 ± .021	4.4	500	C-2V	XENON
2470X	24.0	7.2	.300 ± .030	4.0	12000	C-2F	XENON

THIS DWG IS THE PROPERTY OF CHICAGO MINIATURE LAMP INC. AND IS PROPRIETARY IN GENERAL AND IN DETAIL. IT SHALL NOT BE COPIED OR ITS CONTENTS REVEALED TO OUTSIDE PARTIES WITHOUT THE WRITTEN CONSENT OF CHICAGO MINIATURE LAMP INC.

(Q) FOR INSPECTION USE ONLY
(X) SPC DOCUMENTATION REQ. (X R CHARTS)
TOLERANCE UNLESS OTHERWISE SPECIFIED
FRACTION ± 1/64
INCHES .xx ± .030 (0.76)
.xxx ± .015 (0.38)
ANGLE ± 1 deg.

DO NOT SCALE
DRAWN K. BARRETT
CHECKED *[Signature]* 9/15/98
ENG. APPRV *[Signature]* 9/21/98
SCALE: NTS
SHEET 1 OF 1
REV C
DIST V/S

TITLE
T-3 1/4 GAS FILLED WEDGE BASE LAMP
CHICAGO MINIATURE LAMP INC.
147 CENTRAL AVE. HACKENSACK, NJ 07601